

# **SPECIFICATION MODEL CX-600N**



IMPEDANCE ..... 50 Ohms.

---

## **VOLTAGE**

Pull in ..... 10Vdc-14Vdc(12.0Vdc Nominal)  
Drop out ..... 3.0Vdc Min.  
Current ..... 136mA @12Vdc 20  
Coil resistance ..... 88 Ohms 10% @ 20

---

## **SWITCHING TIME**

Pull in ..... 20ms max.  
Drop out ..... 15ms max.  
LIFE EXPECTANCY ..... 1,000,000. Operation min.

---

## **MECHANICAL**

Contact arrangement ..... SPDT  
Operational temperature ..... -25 to +50 (Max Temperature Rise:20 )  
Weight ..... Approx 230gs.  
Mounting ..... Two screws  
Cable connections ..... 3 N Type female connectors.

---

## **ELECTRICAL CHARACTERISTICS**

Frequency [MHz]	VSWR [Max]	Isolation [-dB(min)]	Ins.Loss [-dB(max)]	IN PUT RF Power [KW(PEP)]
50	1.03	60	0.07	1.0
150	1.1	48	0.1	1.0
500	1.15	37	0.15	0.8
1000	1.2	28	0.2	0.5
1500	1.2	26	0.2	0.35
2000	1.25	23	0.23	0.1

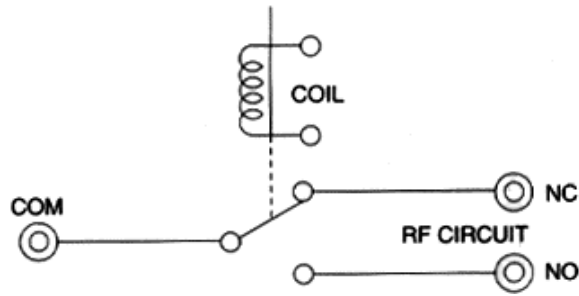
---

## **COIL CHARACTERISTICS**

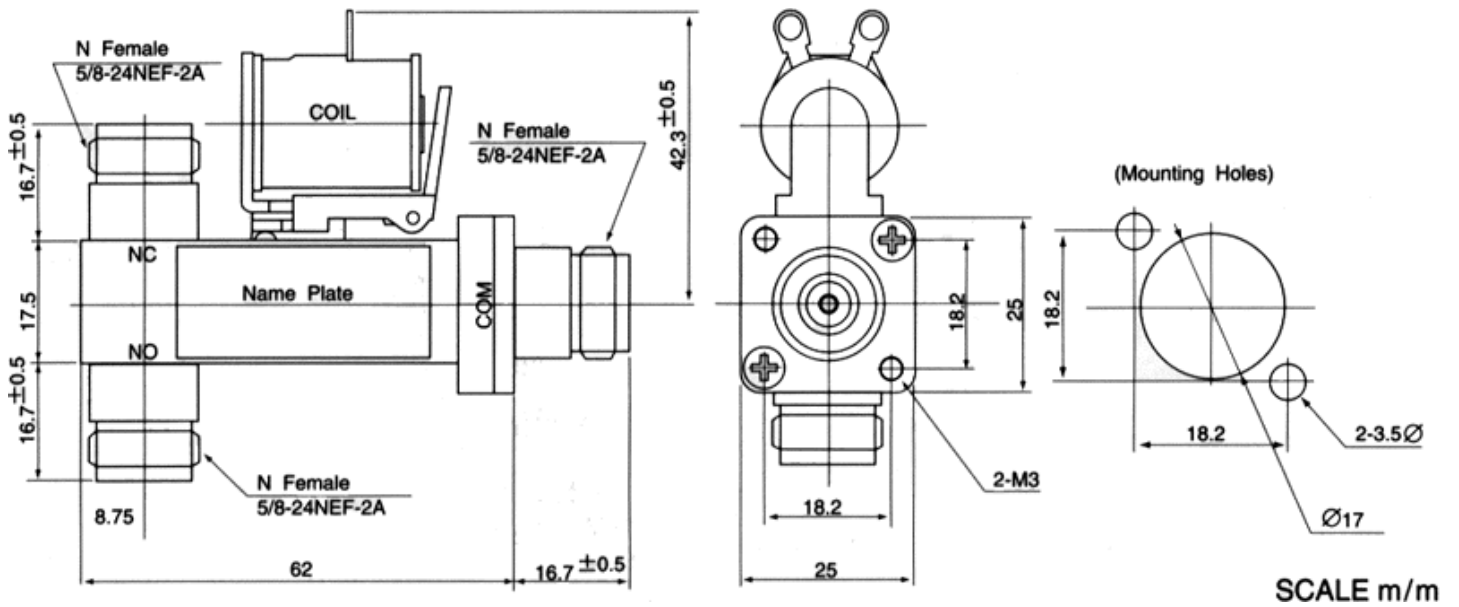
Nominal Voltage    Voltage Range    Resistance Ohms  
12Vdc                10Vdc - 14Vdc    88 ± 10% 20

Note : Other voltages are also available at option.

### Schematic



### DIMENSIONS



Specifications are subject to change without notice.

Question & coments? [info@tohtsu.com](mailto:info@tohtsu.com)  
send mail